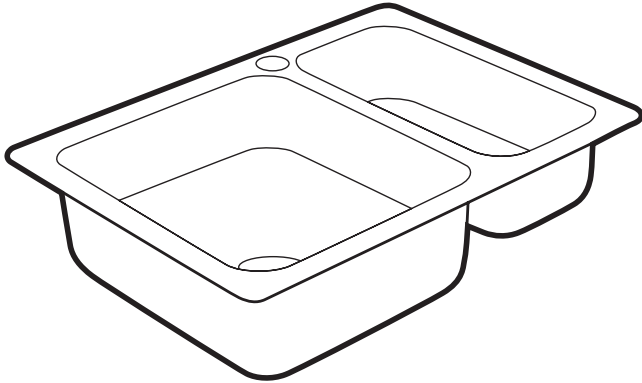




Buy it for looks. Buy it for life.®

There is more than 1 version of this model.
Page down to identify the version you have.



SINK DESCRIPTION

- 2000 series single bowl drop-in sink
- 20 gauge stainless steel, Brushed finish
- Center drain, 1 or 4 faucet holes as indicated
- U-Channel mounting system, hardware included
- SoundSHIELD sound absorbing system

CUT OUT DIMENSIONS (For sinks manufactured after 9/1/2016)

- 25-9/16" x 18-13/16" with 3/8" corner radius, a tolerance of plus or minus 1/16" is acceptable

STANDARDS

- Third party certified by IAPMO to meet ASME A112.19.3/CSA B45.4 and all applicable specifications referenced

WARRANTY

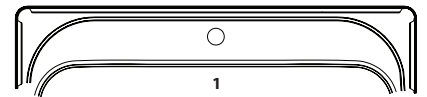
- Limited lifetime warranty against material or manufacturing defects to the original consumer purchaser

Specifications

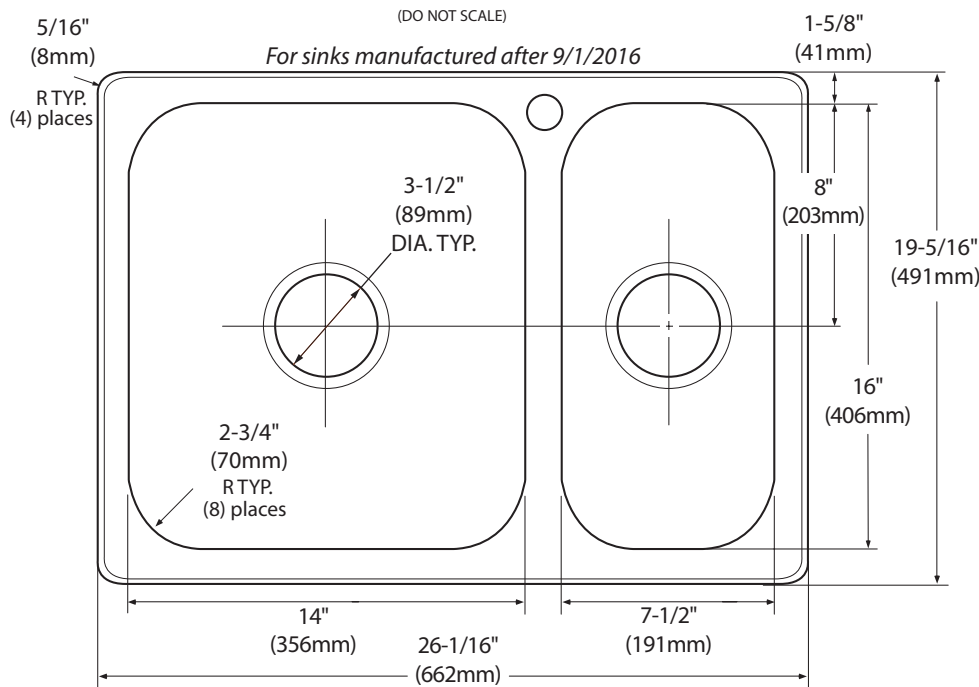
Model Number	Faucet Holes	Depth-Inches	Drain Placement	Model Specified
G202720	0	7	Center	
G202721	1	7	Center	

Faucet Hole Configurations

1-1/2" (38mm) Diameter faucet holes
4" (102mm) Center



CRITICAL DIMENSIONS



MADE IN THE USA

Installation Detail

